

CDLC0505

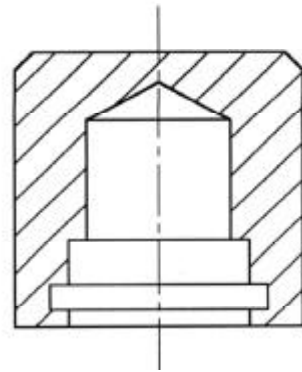
**USED WITH:
PANELING TESTERS**

CHANGE PARTS

**9794 9856
9794A 9859
9794B**



9856



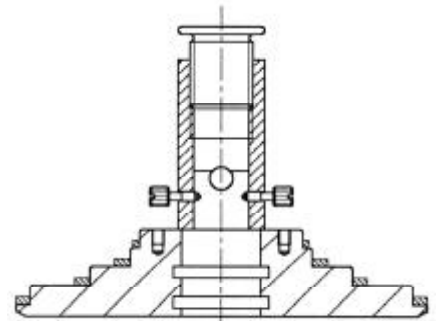
9859



9794



9794A



9794B

LATEST VERSION(S) MAY VARY SLIGHTLY FROM PHOTO(S)

PRODUCT OVERVIEW

These Change Parts are used with paneling testers to hold a sample in place inside the test chamber. The Change Parts are manufactured by Altek to specific customer requirements.

9794 DESCRIPTION

The 9794 Change Part holds a food/utility can in place inside the test chamber as the can is being pressurized from the outside. The 9794 consists of a base and an adjustable height post to support the bottom of the inverted sample.

9794A / 9794B DESCRIPTION

These styles of change parts are used when testing more than one food/utility can size, if the particular combination of can sizes allows for it. This saves the operator from having to interchange the base assembly for each different can diameter. A post assembly is still used to support the bottom of the can.

9856 DESCRIPTION

The 9856 Change Part holds an aerosol can in place inside the test chamber as the can is being pressurized from the outside. The 9856 consists of a base and is capable of testing one or more different can sizes if the particular combination allows for it.

9859 DESCRIPTION

The 9859 Change Part is used when the testing of a fully closed (sealed) sample is desired. The 9859 consists of a plug which seals the test chamber as the sample is being pressurized from the outside.

NOTE: The 9859 can also be used as a calibration plug to provide a closed test system when performing verification processes such as calibration or leak detection.

SPECIFICATIONS

The following document describes the specifications for these Change Parts:

CDXC0501 - Change Parts Specifications

9794, 9794A, 9794B ORDERING

The 9794 change parts are ordered by supplying detail drawings and several samples to Altek. Drawings and samples MUST be provided to ensure proper manufacture of the 9794 Change Parts.

9856 ORDERING

The 9856 is ordered by supplying several samples to Altek. Samples MUST be provided to ensure proper operation of the manufacture of the 9856 Change Parts.

9859 ORDERING

The 9859 is ordered by specifying 9856 on the appropriate Customer Order Guide.

TECHNICAL SUPPORT

Altek provides comprehensive technical support to its customers worldwide. For assistance, contact Altek and ask for the Engineering department.

REPAIR

Altek customers can obtain a return authorization from Altek and ship a faulty unit in for repair, if necessary. In addition, replacement parts for all models are available from Altek.

WARRANTY

All Altek products are built to the highest standards of quality and reliability. This Altek product is backed by a full 90-day warranty.

FURTHER INFORMATION

See the accompanying specifications for additional information concerning this product. If specifications were not included with this flier, please call Altek; they will be mailed or faxed as quickly as possible

CUSTOM DESIGN.

Altek can custom design inspection and test equipment to meet specific customer requirements. Custom Change Parts can also be designed and manufactured for most Altek products; contact Altek for further information.

A NOTE ON SAMPLES

Samples sent to Altek as a requirement for the manufacture of Change Parts must be submitted in their "as tested" form. For instance, if an end will be tested unsealed on a piece of test equipment, Altek must receive ends that are unsealed in order to properly manufacture the Change Parts. Contact Altek for further information regarding sample requirements for Change Parts manufacture.

For more information, contact Altek between 8:00 am and 5:00 pm ET, Monday thru Friday. The Altek company address and phone numbers can be found on the front of this flier.

ORDERING INFORMATION

To purchase this product:

This flier is supplemented by additional literature in the form of a specification sheet.

At least one of these Change Parts sets is required for operation of an Altek paneling tester.

Customer detail drawings and samples are REQUIRED in order to ensure proper manufacture and operation of the Change Parts.

Thank you for your interest in TECH • products from Altek!

\yC05 SPECIFICATIONS

ALL SPECIFICATIONS ARE SUBJECT TO CHANGE WITHOUT NOTICE

CHANGE PARTS: 9794, 9794A, 9794B, 9856, 9859

USED WITH MODELS: 9025A2, 9025A3

EFFECTIVE DATE: DEC 1, 1997

SAMPLE TYPE: FOOD/UTILITY/AEROSOL CANS

NOTE: Please provide a list of can sizes to be tested and ALTEK will respond with an appropriate quotation for change parts.

9794: For round, open food/utility cans tested on 9025A2
Can Body Diameter 200 - 610 (2" to 6 10/16")
Can Height 810 max (8 10/16")

9794: For round, open food/utility cans tested on 9025A3
Can Body Diameter 200 - 610 (2" to 6 10/16")
Can Height 1104 max (11 4/16")

9794A/9794B: Multiple diameter change part used on 9025A2 or 9025A3 for food/utility cans with a combination of sizes that permits use.
Consult ALTEK engineering for application!

9856: For round metal aerosol cans tested on 9025A2
Can Body Diameter 200 - 211 (2" to 2 11/16")
Can Height 710 max (7 10/16")

9856: For round metal aerosol cans tested on 9025A3
Can Body Diameter 200 - 211 (2" to 2 11/16")
Can Height 1004 max (10 4/16")

9859: For sealed metal/composite cans tested on 9025A2 or 9025A3.
*Note: the 9859 can also be used to provide a closed test system when performing any of the system verification processes.